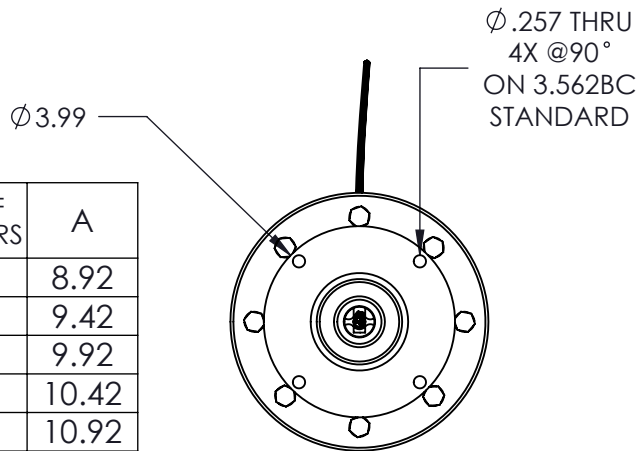
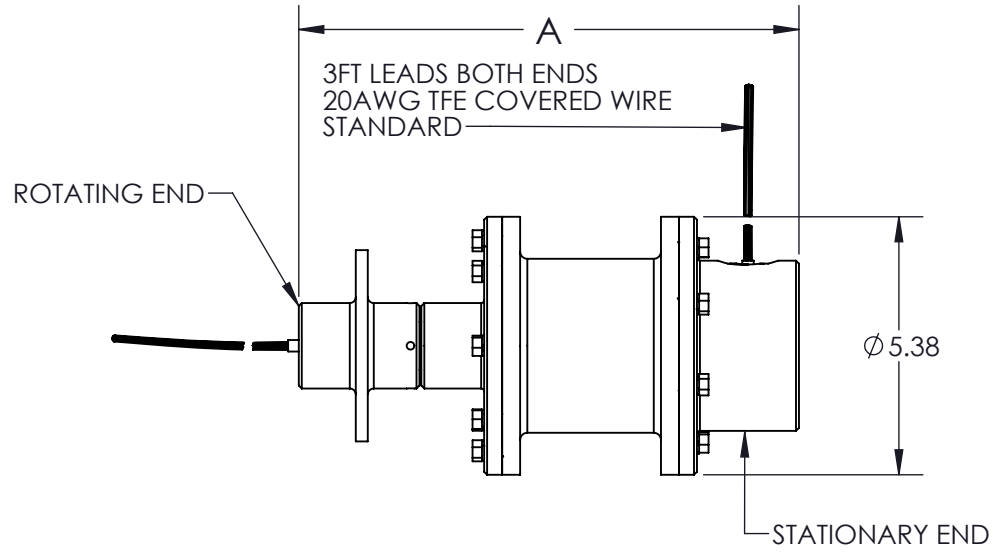


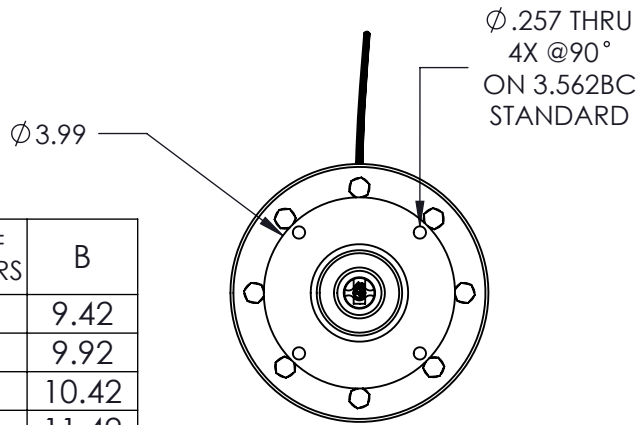
BXXP WITH DRIVER



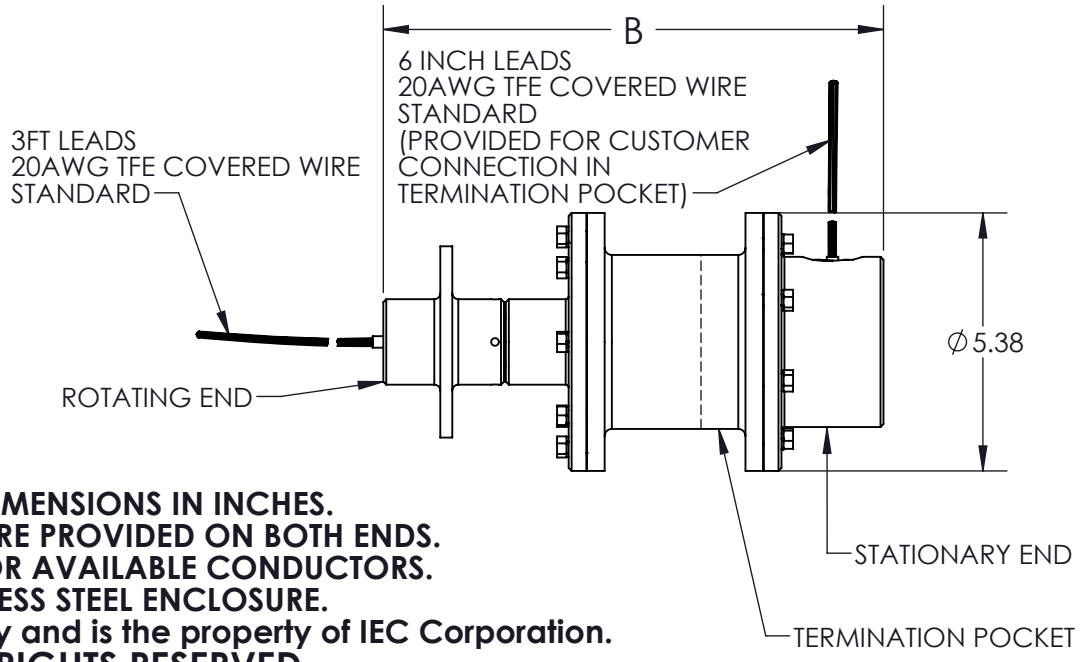
NUMBER OF CONDUCTORS	A
2	8.92
4	9.42
6	9.92
8	10.42
10	10.92
12	11.42
16	12.42
20	13.42
24	14.42
30	15.92



BXXP WITH DRIVER AND TERMINATION POCKET



NUMBER OF CONDUCTORS	B
2	9.42
4	9.92
6	10.42
8	11.42
10	12.42
12	12.42
16	13.42
20	14.42
24	15.92



**ALL DIMENSIONS IN INCHES.
NPT ENTRIES ARE PROVIDED ON BOTH ENDS.
SEE CHART FOR AVAILABLE CONDUCTORS.
STAINLESS STEEL ENCLOSURE.**

**This drawing is proprietary and is the property of IEC Corporation.
ALL RIGHTS RESERVED**