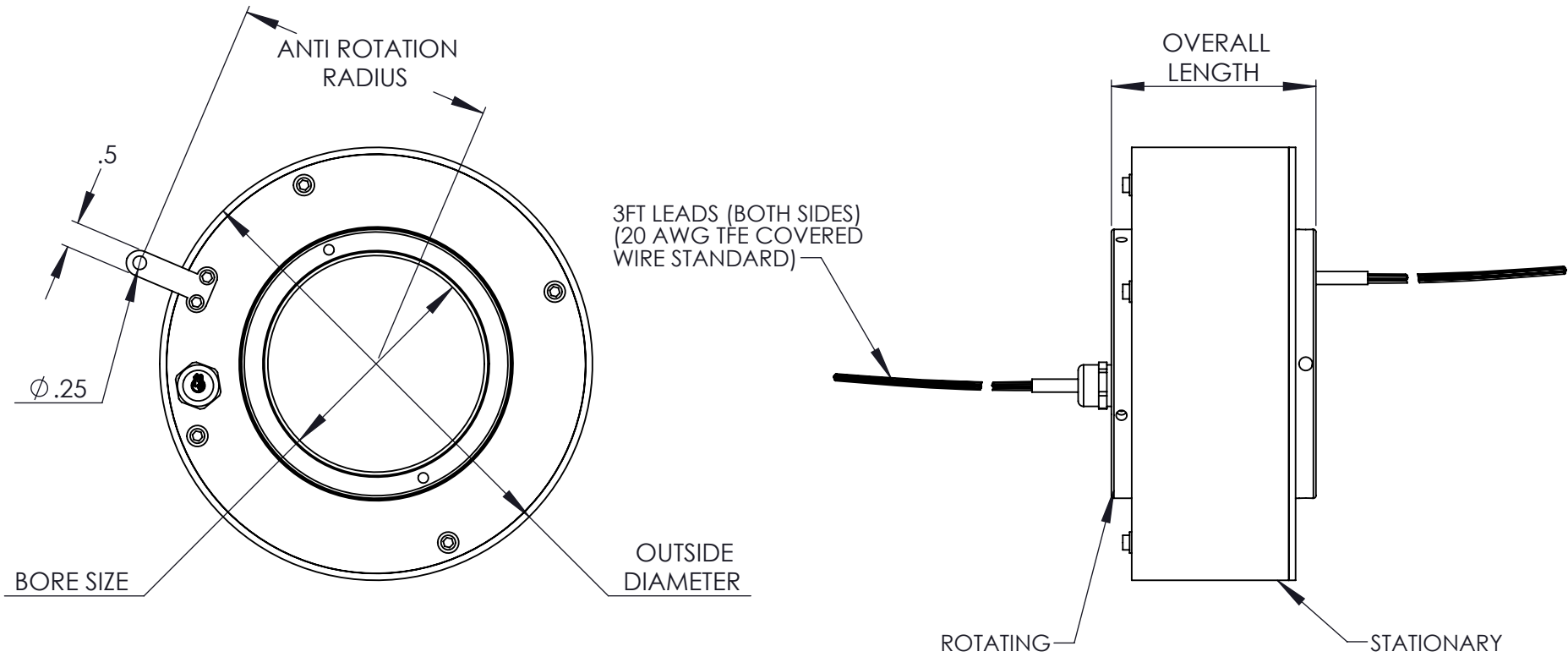


## THROUGH BORE (TB) 2.0" TO 8.0" BORE



NUMBER OF CONDUCTORS	BORE SIZE	OUTSIDE DIAMETER	OVERALL LENGTH	ANTI ROTATION RADIUS
4	Ø2.0	Ø6.0	3.78	R3.75
8	Ø2.0	Ø6.0	4.53	R3.75
12	Ø2.0	Ø6.0	5.28	R3.75
4	Ø4.0	Ø8.0	3.78	R4.75
8	Ø4.0	Ø8.0	4.53	R4.75
12	Ø4.0	Ø8.0	5.28	R4.75
4	Ø6.0	Ø10.0	3.78	R5.75
8	Ø6.0	Ø10.0	4.53	R5.75
12	Ø6.0	Ø10.0	5.28	R5.75
4	Ø8.0	Ø12.0	3.78	R6.75
8	Ø8.0	Ø12.0	4.53	R6.75
12	Ø8.0	Ø12.0	5.28	R6.75

**ALL DIMENSIONS IN INCHES**  
**NOTE: AVAILABLE ONLY IN ANODIZED ALUMINUM ENCLOSURE.**  
**SEE CHART FOR AVAILABLE CONDUCTORS.**  
**BORE DIAMETER AVAILABLE IN ANY DIAMETER BETWEEN 2.0" AND 8.0"**  
**This drawing is proprietary and is the property of IEC Corporation.**  
**ALL RIGHTS RESERVED**