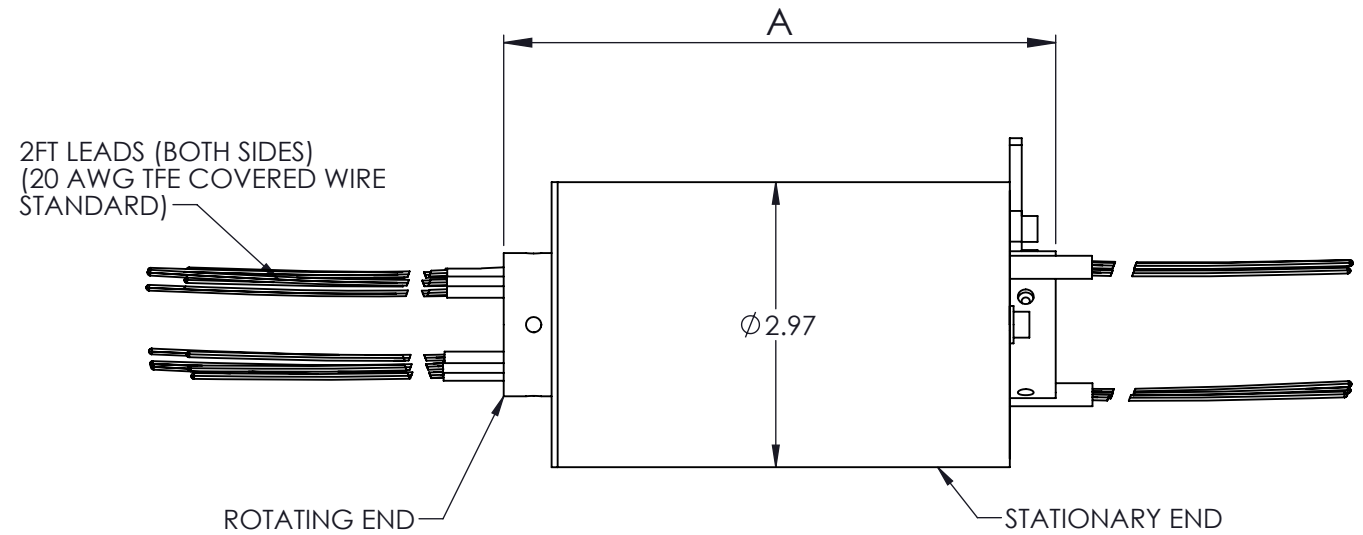
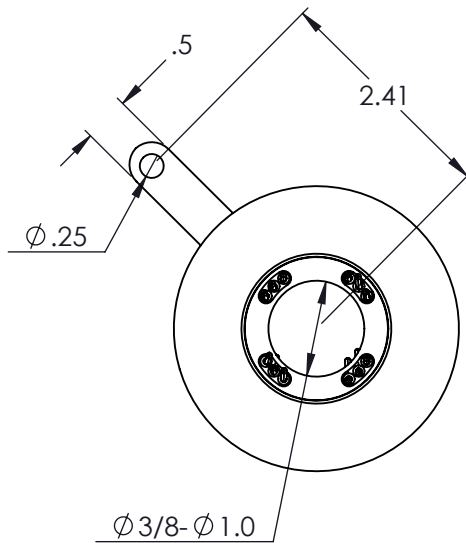


# THROUGH BORE (TB) 1.0" BORE



NUMBER OF CONDUCTORS	A
6	4.25
12	5.75
20	7.75

**ALL DIMENSIONS IN INCHES**  
**NOTE: AVAILABLE ONLY IN STAINLESS STEEL ENCLOSURE.**  
**SEE CHART FOR AVAILABLE CONDUCTORS.**  
**BORE DIAMETER AVAILABLE IN ANY DIAMETER BETWEEN 3/8" AND 1.0"**  
 This drawing is proprietary and is the property of IEC Corporation.  
**ALL RIGHTS RESERVED**