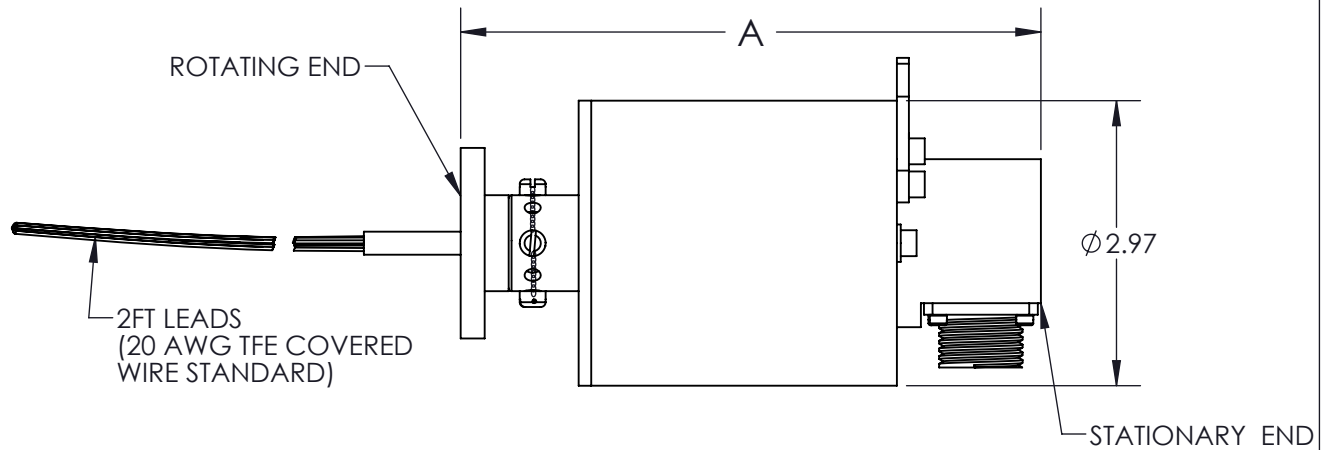
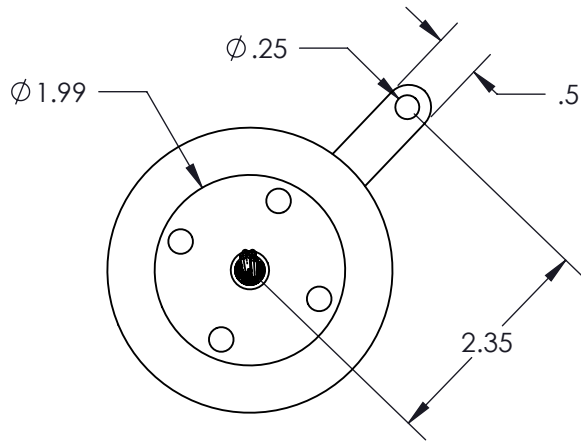
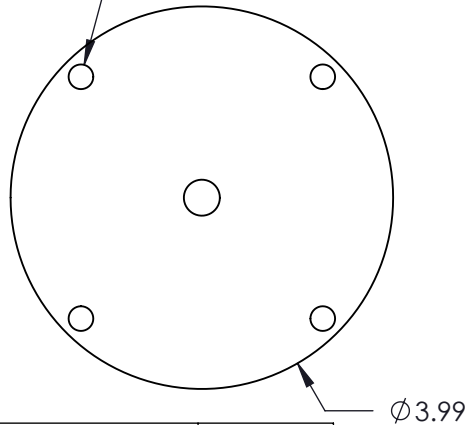


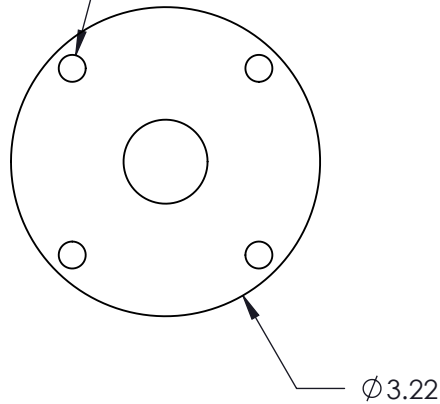
FLANGE MOUNT (FM) 2 TO 40 CONDUCTORS



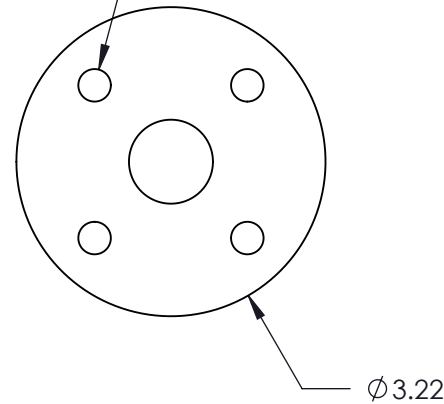
$\phi .257$ THRU
4X @90°
ON 3.562 BC



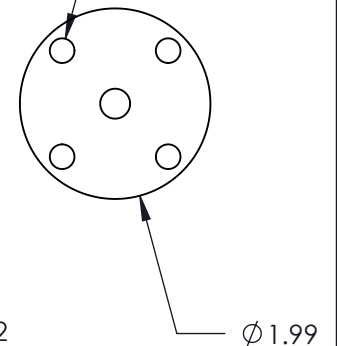
$\phi .281$ THRU
4X @90°
ON 2.75 BC



$\phi .339$ THRU
4X @90°
ON 2.25 BC



$\phi .257$ THRU
4X @90°
ON 1.562 BC



| NUMBER OF CONDUCTORS | A |
|----------------------|-------|
| 2 | 5.05 |
| 4 | 5.55 |
| 6 | 6.05 |
| 8 | 6.55 |
| 10 | 7.05 |
| 12 | 7.55 |
| 16 | 8.55 |
| 20 | 9.55 |
| 30 | 12.05 |
| 40 | 12.44 |

MOUNTING FLANGE OPTIONS
(CUSTOM HOLE PATTERNS AVAILABLE)

ALL DIMENSIONS IN INCHES
NOTE: OIL FILLED VERSIONS ONLY AVAILABLE IN STAINLESS STEEL ENCLOSURE
 This drawing is proprietary and is the property of IEC Corporation.
ALL RIGHTS RESERVED