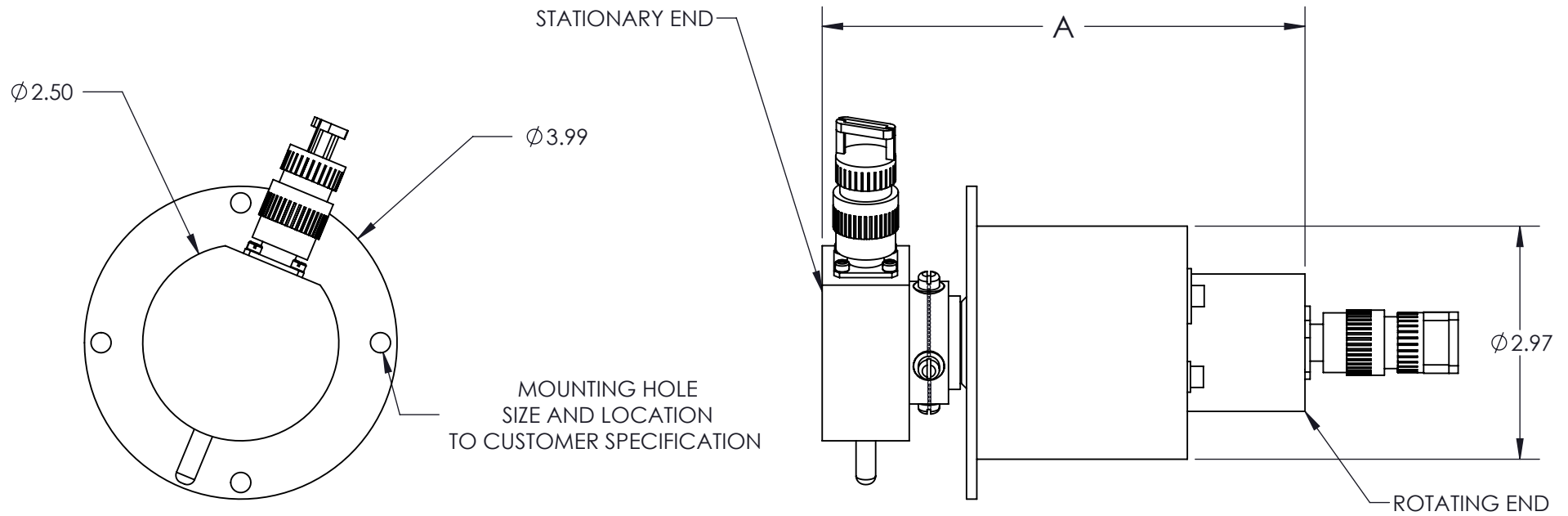


INSIDE SHAFT MOUNT (ISM) 2 TO 30 CONDUCTORS



NUMBER OF CONDUCTORS	A
2	5.65
4	6.15
6	6.65
8	7.15
10	7.65
12	8.15
16	9.15
20	10.15
30	12.65

ALL DIMENSIONS IN INCHES
 STAINLESS STEEL ENCLOSURE
 CAN BE OIL FILLED

This drawing is proprietary and is the property of IEC Corporation.
 ALL RIGHTS RESERVED