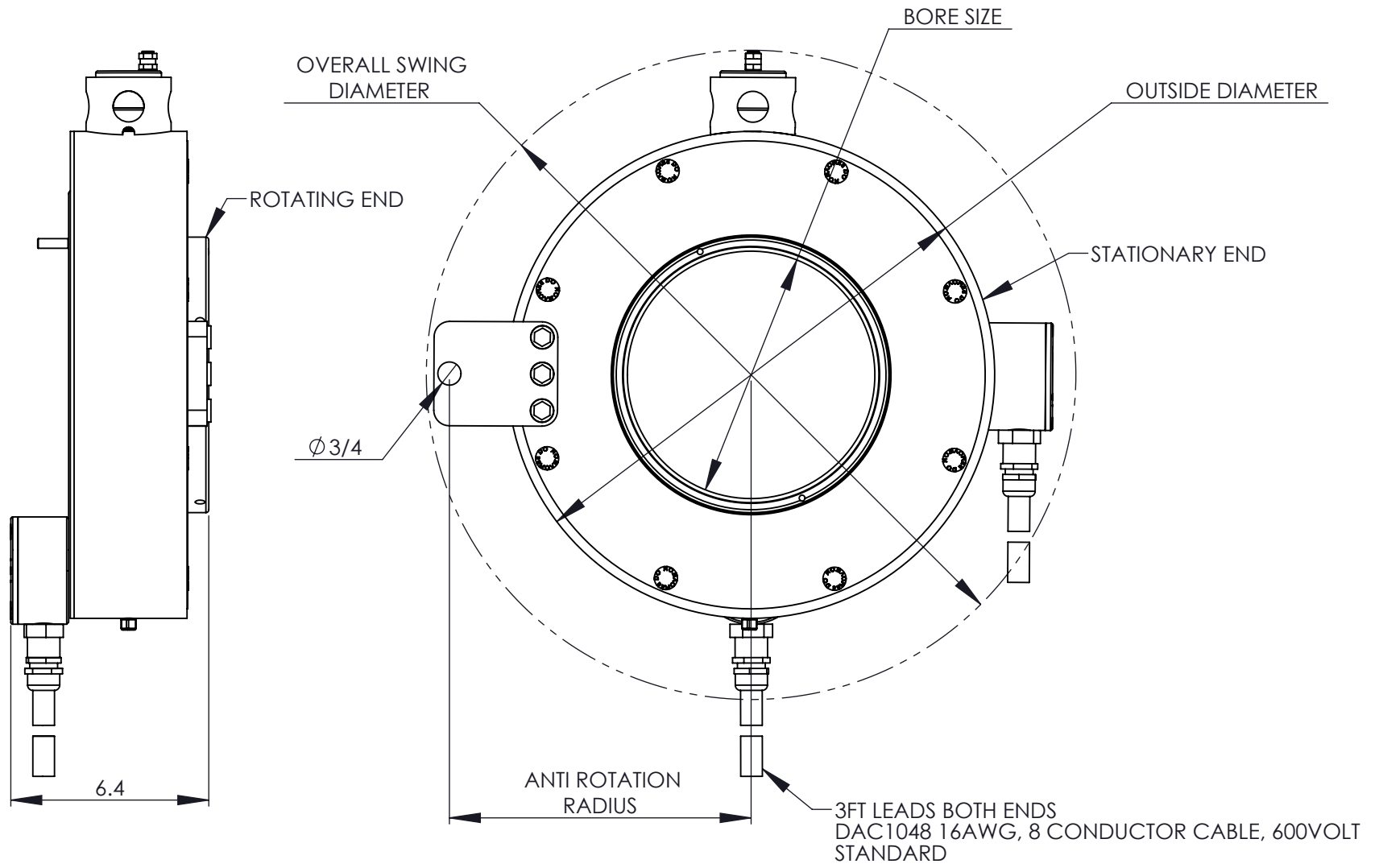


# THROUGH BORE NICKEL PLATE (TBNP) 6.0" OR 8.0" BORE



BORE SIZE	OUTSIDE DIAMETER	OVERALL SWING DIAMETER	ANTI ROTATION RADIUS
Ø6.0	Ø13.75	Ø19.00	R8.75
Ø8.0	Ø15.75	Ø20.00	R9.75

**ALL DIMENSIONS IN INCHES**  
**UP TO 8 CONDUCTORS**  
**NICKEL PLATED ALUMINUM ENCLOSURE**  
 This drawing is proprietary and is the property of IEC Corporation.  
**ALL RIGHTS RESERVED**