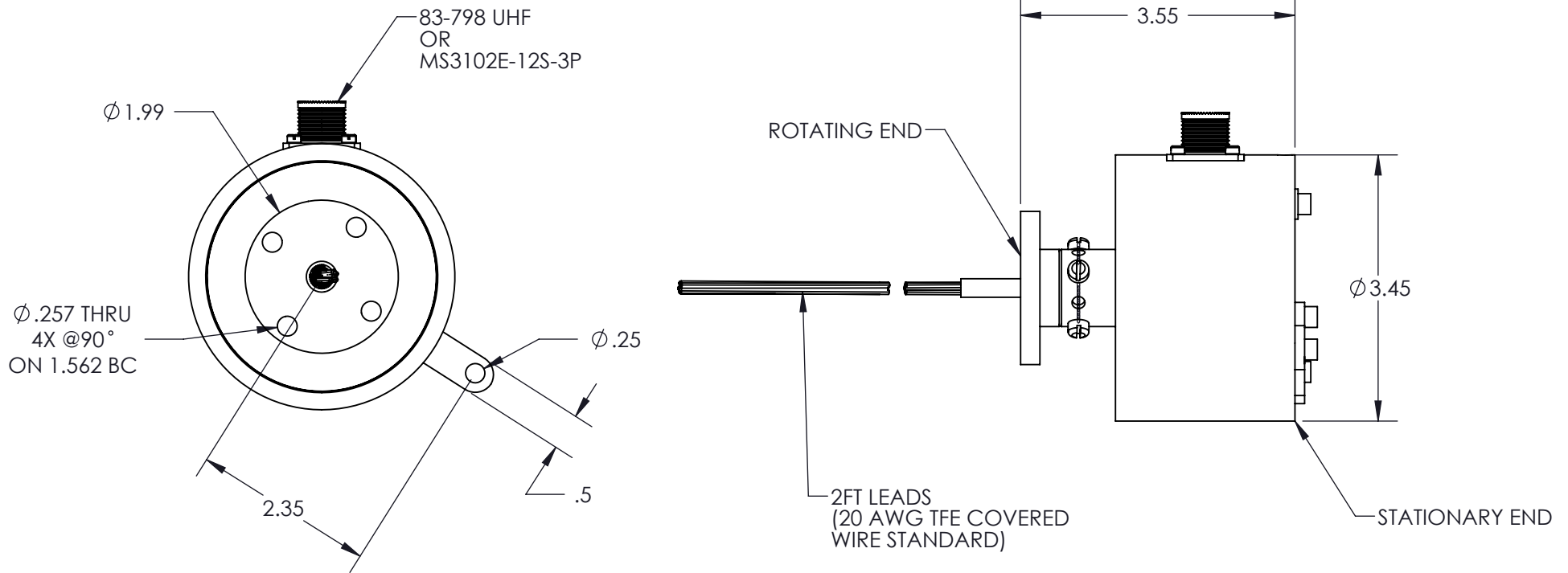


FLANGE MOUNT (FM) 2 CONDUCTOR SHORT VERSION (SH) FOR USE IN SPACE CONSTRAINED APPLICATIONS



ALL DIMENSIONS IN INCHES
NOTE: THE "SH" VERSION IS ONLY AVAILABLE IN ALUMINUM ENCLOSURE.
This drawing is proprietary and is the property of IEC Corporation.
ALL RIGHTS RESERVED